

# **TORNADO**

## **FRESADORA DE TOCONES**

### **TRANSMISIÓN DIRECTA**

EL SISTEMA DE TRANSMISIÓN DIRECTA CON MOTOR DE PISTÓN PROPORCIONA LA MÁXIMA VELOCIDAD DE CORTE CON PRODUCTIVIDAD Y EFICIENCIA ÓPTIMA

### **DIENTES DE TUNGSTENO**

DIENTES DE TUNGSTENO EXTREMADAMENTE RESISTENTE

### **ADECUADO PARA PENDIENTES DIFÍCIL**

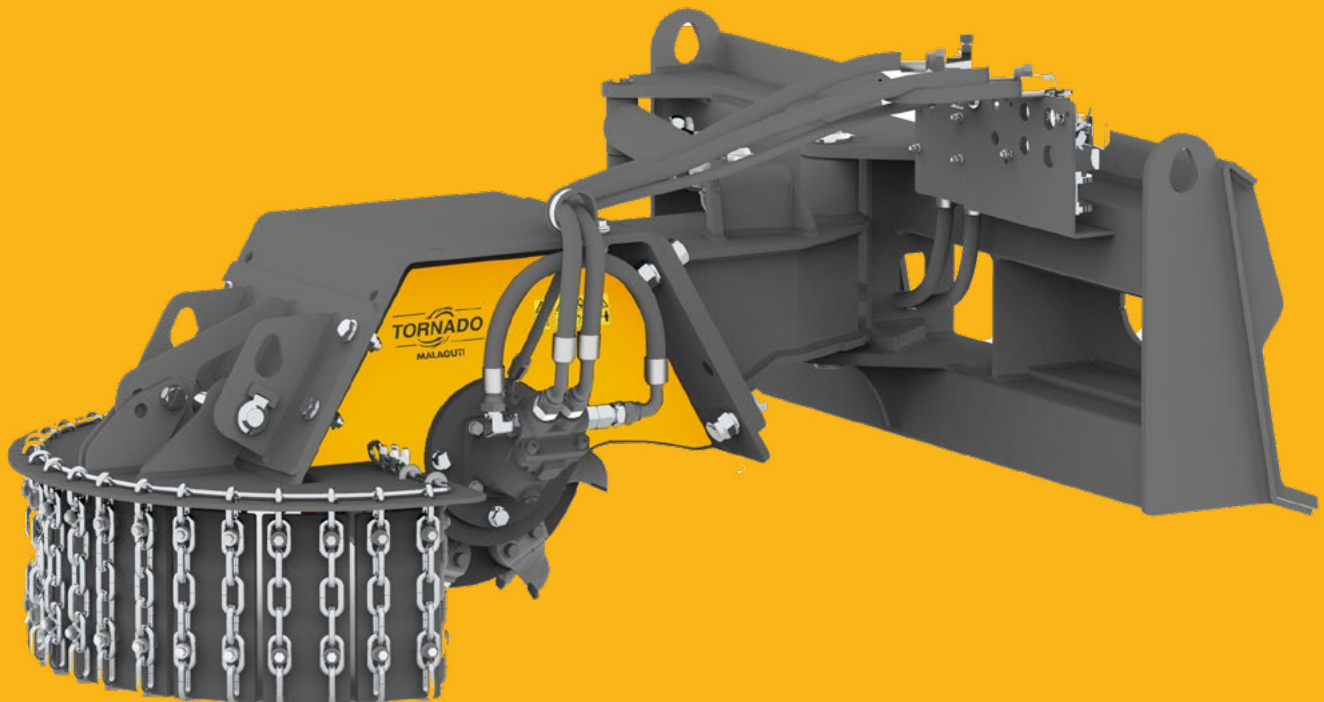
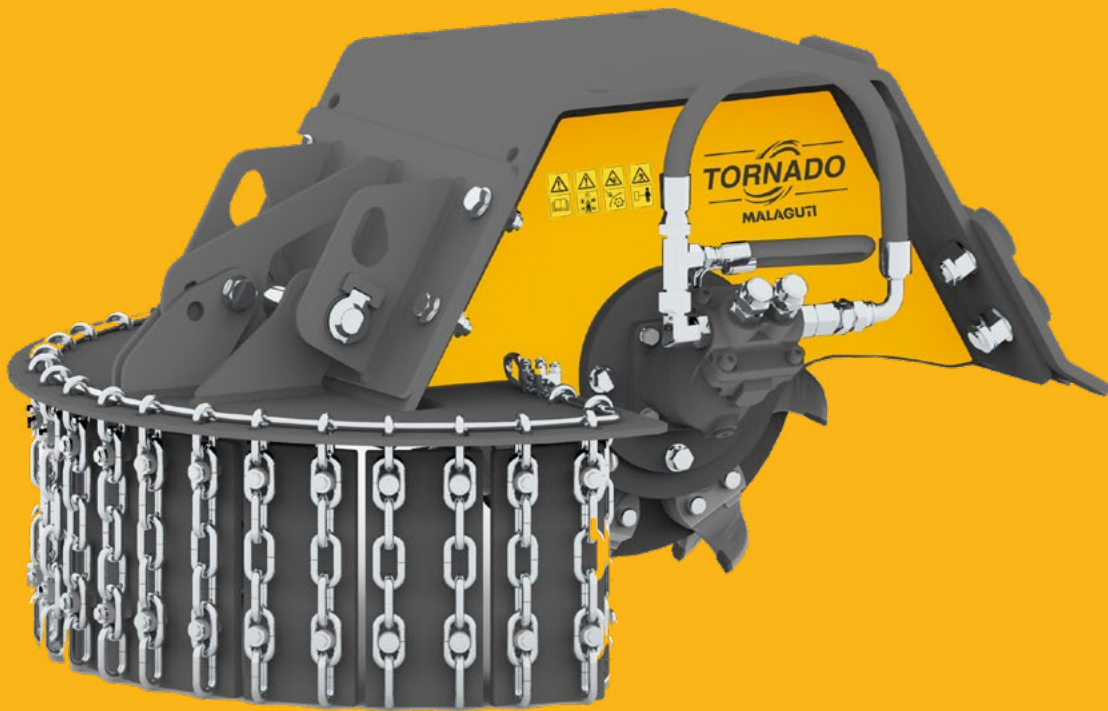
EFICAZ INCLUSO EN PENDIENTES DIFÍCILES, IDEAL PARA FRESAR INCLUSO TOCONES DE DIFÍCIL ACCESO

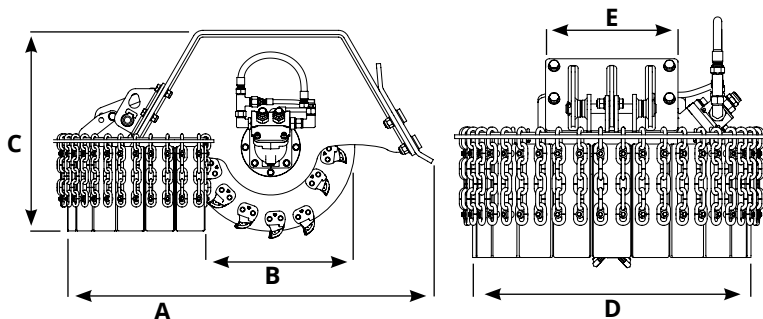
### **RÁPIDO Y EFECTIVO**

BALANCEANDO LA RUEDA DENTADA DE LADO A LADO, AVANZA GRADUALMENTE EN EL REGISTRO HASTA QUE SE ELIMINE COMPLETAMENTE

# TORNADO

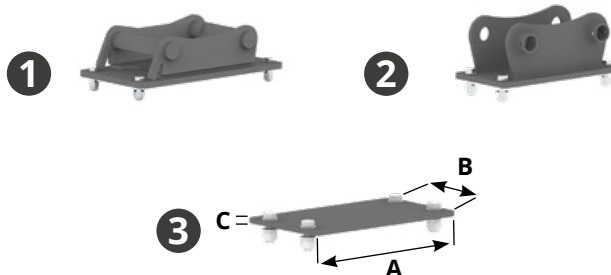
## MALAGUTI





| TORNADO                  | Tornado 350 | Tornado 350 | Tornado 450 | Tornado 450 | Tornado 450 | Tornado 600 | Tornado 600 | Tornado 600 | Tornado 600 PLUS |
|--------------------------|-------------|-------------|-------------|-------------|-------------|-------------|-------------|-------------|------------------|
| TONS                     | 1.5 - 4.5   | 1.5 - 4.5   | 4.5 - 9.0   | 4.5 - 9.0   | 4.5 - 9.0   | 9.0 - 13.0  | 9.0 - 13.0  | 9.0 - 13.0  | 13.0 - 18.0      |
| A (mm)                   | 930         | 930         | 1150        | 1150        | 1150        | 1360        | 1360        | 1360        | 1360             |
| B (Ømm)                  | 350         | 350         | 450         | 450         | 450         | 600         | 600         | 600         | 600              |
| C (mm)                   | 494         | 494         | 572         | 572         | 572         | 740         | 740         | 740         | 740              |
| D (mm)                   | 710         | 710         | 720         | 720         | 720         | 840         | 840         | 840         | 840              |
| E (mm)                   | 350         | 350         | 350         | 350         | 350         | 350         | 350         | 350         | 350              |
| Motor (CC)               | 12          | 18          | 25          | 28          | 32          | 45          | 50          | 63          | 80               |
| Flujo de aceite (L/Min)  | 16          | 24          | 32          | 36          | 42          | 56          | 64          | 80          | 110              |
| Peso sin accesorio (Kg)  | 140         | 140         | 226         | 226         | 226         | 360         | 360         | 360         | 375              |
| Numero de dientes        | 16          | 16          | 20          | 20          | 20          | 28          | 28          | 28          | 28               |
| Presión (BAR)            | 200-250     | 200-250     | 200-250     | 200-250     | 200-250     | 200-250     | 200-250     | 200-250     | 200-250          |
| Contrapresión Máx. (BAR) | 15          | 15          | 15          | 15          | 15          | 15          | 15          | 15          | 15               |

|   | Model                                 | A mm | B mm | C mm | Kg.  |
|---|---------------------------------------|------|------|------|------|
| 1 | ADAPTER FOR QUICK COUPLING for 350    | /    | /    | /    | /    |
|   | ADAPTER FOR QUICK COUPLING for 450    | /    | /    | /    | /    |
|   | ADAPTER FOR QUICK COUPLING for 600    | /    | /    | /    | /    |
| 2 | FIXED COUPLING MACHINE for 350        | /    | /    | /    | /    |
|   | FIXED COUPLING MACHINE for 450        | /    | /    | /    | /    |
|   | FIXED COUPLING MACHINE for 600        | /    | /    | /    | /    |
| 3 | BOLTED PLATE MACHINE COUPLING for 350 | 350  | 280  | 10   | 13   |
|   | BOLTED PLATE MACHINE COUPLING for 450 | 380  | 350  | 12   | 17   |
|   | BOLTED PLATE MACHINE COUPLING for 600 | 470  | 280  | 15   | 16.5 |





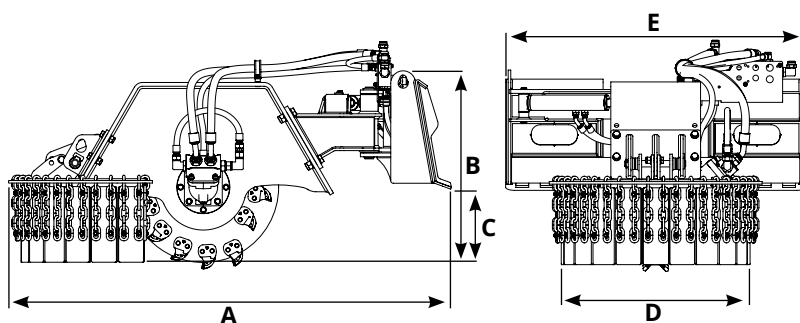
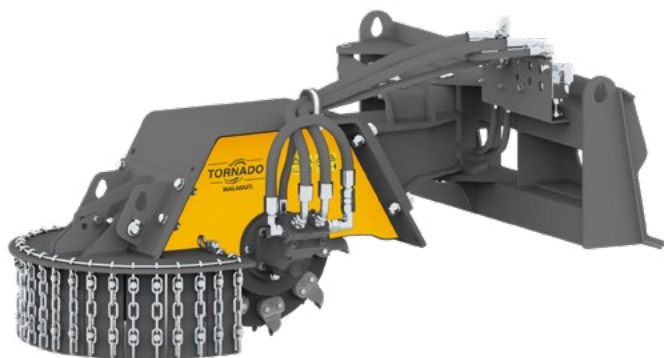




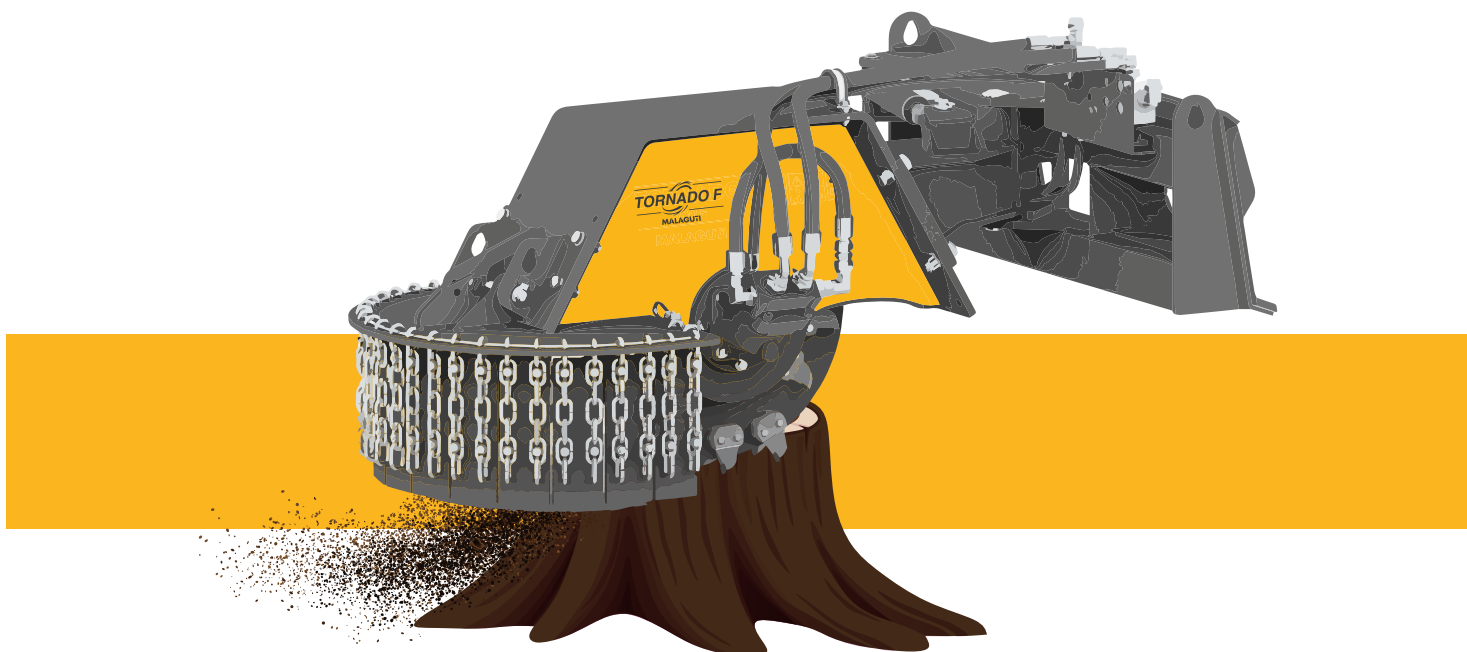
# TORNADO F



## FRESADORA FRONTALES

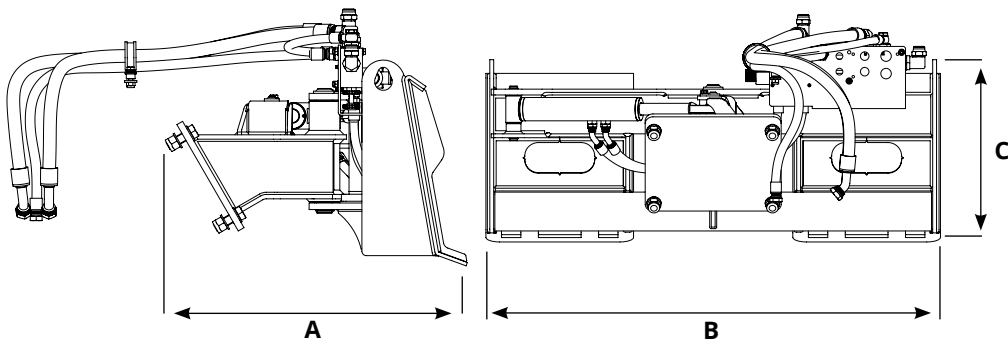
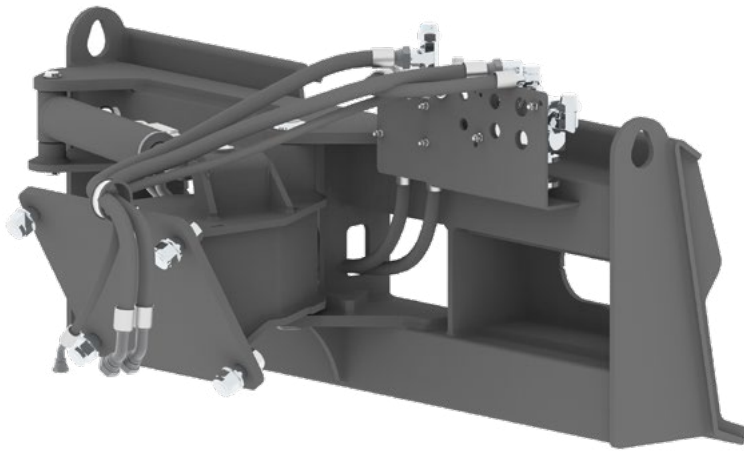


| TORNADO                 | Tornado 350 F | Tornado 350 F | Tornado 450 F | Tornado 450 F | Tornado 450 F | Tornado 600 F | Tornado 600 F | Tornado 600 F | Tornado 600 F PLUS |
|-------------------------|---------------|---------------|---------------|---------------|---------------|---------------|---------------|---------------|--------------------|
| A (mm)                  | 1366          | 1366          | 1529          | 1529          | 1529          | 1734          | 1734          | 1734          | 1734               |
| B (Ømm)                 | 625           | 625           | 678           | 678           | 678           | 758           | 758           | 758           | 758                |
| C (mm)                  | 156           | 156           | 209           | 209           | 209           | 289           | 289           | 289           | 289                |
| D (mm)                  | 710           | 710           | 720           | 720           | 720           | 840           | 840           | 840           | 840                |
| E (mm)                  | 1170          | 1170          | 1170          | 1170          | 1170          | 1170          | 1170          | 1170          | 1170               |
| Motor (CC)              | 12            | 18            | 25            | 28            | 32            | 45            | 50            | 63            | 80                 |
| Flujo de aceite (L/Min) | 16            | 24            | 32            | 36            | 42            | 56            | 64            | 80            | 80                 |
| Peso con enganche Kg    | 310           | 310           | 393           | 393           | 393           | 530           | 530           | 530           | 545                |
| Numero de dientes       | 16            | 16            | 20            | 20            | 20            | 28            | 28            | 28            | 28                 |
| Presión (BAR)           | 200-250       | 200-250       | 200-250       | 200-250       | 200-250       | 200-250       | 200-250       | 200-250       | 200-250            |
| Contrapresión Máx.      | 15            | 15            | 15            | 15            | 15            | 15            | 15            | 15            | 15                 |



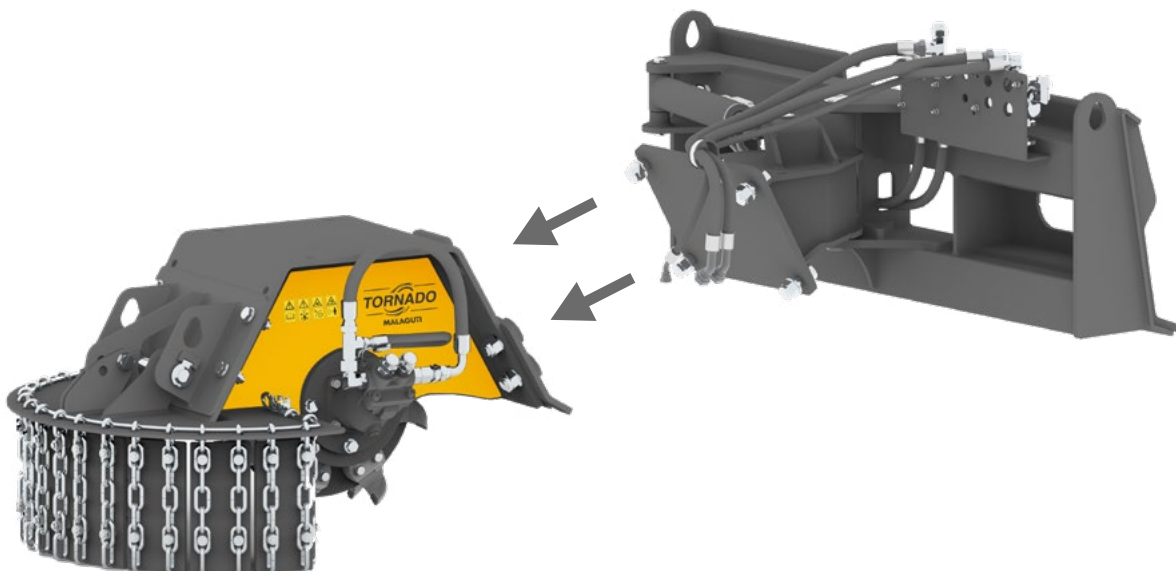


# ADAPTADOR FRONTAL UNIVERSAL TORNADO



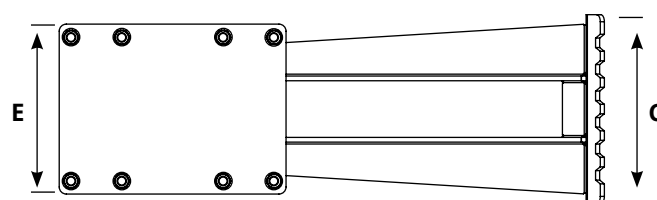
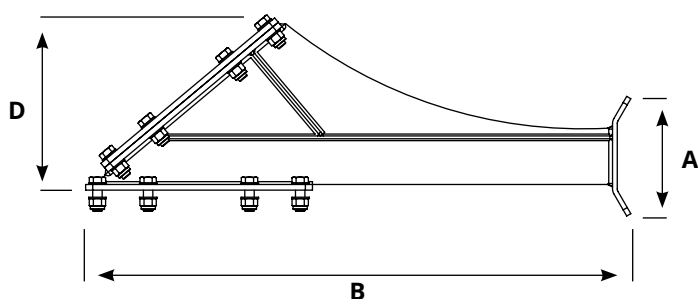
- › Mediante el uso del accesorio frontal Tornado, es posible utilizar la trituradora de tocones en máquinas de trabajo como minicargadoras, minicargadoras, minicargadoras de ruedas.

| Model   | A mm | B mm | C mm | Kg. |
|---|------|------|------|-----|
| <b>FRONT-MOUNTED ATTACHMENT TORNADO<br/>for 350 / 450 / 600</b> | 436  | 1170 | 469  | 170 |





# TORNADO SUPPORT FOOT



- › El pie montado en la Tornado es indispensable como soporte para maniobrar con la excavadora sobre orugas

| Model                       | A mm | B mm | C mm | D mm | Kg. | Model                           |
|-----------------------------|------|------|------|------|-----|---------------------------------|
| <b>TORNADO SUPPORT FOOT</b> | 254  | 1155 | 400  | 365  | 100 | TORNADO 600<br>TORNADO 600 PLUS |



# GENERAL SALES INFORMATION

THE FOLLOWING GENERAL SALES CONDITIONS ARE BINDING AND FORM AN INTEGRAL PART OF THE CONTRACTS CONCLUDED BETWEEN THE SELLER AND THE BUYER FOR THE SUPPLY OF THE SELLER'S PRODUCTS (THE "PRODUCTS").

THESE SALES CONDITIONS APPLY TO ALL TRANSACTIONS CONCLUDED WITH THE SELLER AND THE BUYER WITHOUT THE NEED FOR EXPLICIT REFERENCE TO THEM OR A SPECIFIC AGREEMENT IN THIS REGARD AT THE CONCLUSION OF EACH INDIVIDUAL TRANSACTION. ANY DIFFERENT CONDITION OR TERM WILL APPLY ONLY IF CONFIRMED IN WRITING BY THE SELLER.

THE SELLER RESERVES THE RIGHT TO MODIFY, SUPPLEMENT, OR AMEND THE GENERAL SALES CONDITIONS, ATTACHING SUCH VARIATIONS TO OFFERS OR ANY WRITTEN CORRESPONDENCE SENT TO THE BUYER.

## OFFERS AND ORDERS

The Seller's offers are not binding, especially concerning quantity, prices, and delivery terms. Orders placed by the Buyer are not considered accepted until they are confirmed in writing by the Seller. The Buyer has the option to modify and/or cancel the order within 24 hours of receipt, as expressly stated in the order confirmation. Orders and/or order modifications made verbally or over the phone must be confirmed in writing by the Buyer; otherwise, the Seller assumes no responsibility for any errors or misunderstandings.

## PRICES AND PAYMENT TERMS

The price of the products and spare parts, if not indicated in the order confirmation, is the one established in the 4.0 price list in effect at the time of the order. Product prices do not include VAT, which must be paid at the time of delivery or in accordance with the specific provisions indicated on the invoice. Taxes, duties, shipping, insurance, after-sales service are not included in the prices unless separately quoted. In case of delayed or non-payment within the agreed terms, the Seller has the right to apply late payment interest, in addition to seeking compensation for any other damages suffered, as well as suspend and/or cancel further deliveries and demand immediate payment of the outstanding amount. The Parties hereby agree that in the event of disputes between them relating to this contract, the Buyer may not, for any reason, delay and/or suspend payments for executed orders. In the event of changes in the Buyer's economic conditions, the Seller may request immediate payment with forfeiture of the grace period, change payment terms, including a request for total or partial prepayment before shipment. In any case, the Buyer is not entitled to make offsetting, deductions, or reductions of the price and/or sums due to the Seller, unless there is written consent from the Seller.

## DELIVERY TERMS

Unless otherwise agreed in writing, any indicated delivery term is not binding on the Seller. Unless otherwise agreed between the parties, the indicative delivery term is specified in the order confirmation. The delivery terms and methods of the product and/or spare parts are those indicated by the Seller in the order confirmation; it is understood that the Seller is not responsible for delays due to force majeure, acts of third parties, public authorities, or causes attributable to the Buyer, as expressly regulated in article 1341 of the Civil Code. The Seller is not obligated to accept returns of products unless expressly agreed in writing. Any costs incurred for this purpose are borne by the Buyer.

## WARRANTY TERMS

- a) The Seller guarantees that the products and/or spare parts are free from defects and conform to the technical specifications stated in the product technical manuals and documentation provided to the Buyer.
- b) The warranty is valid for 12 months from the date the Product and/or spare parts and/or Product parts leave the Seller's premises.
- c) The Seller is not liable, even towards third parties, for improper use and non-compliance with what is indicated in the user and maintenance manuals for the products and/or spare parts, as well as for use by untrained personnel.
- d) Tampering with the product and/or spare parts or any maintenance and/or repair work on it, or replacement of parts not authorized in writing by the Seller, results in the forfeiture of the warranty.
- e) It is the Buyer's obligation to check the packaging, quantity, and conformity of the products and/or spare parts at the time of delivery, recording any discrepancies in the Delivery Note.
- f) Any defects or non-conformities of the products and/or spare parts must be reported in writing to the Seller within 8 days of receipt, including a detailed report and photographic documentation of the complaints and a copy of the Delivery Note with the complaints already indicated therein.
- g) Catalogs, price lists, and promotional materials provided by the Seller, containing images and indicative descriptions of the product, cannot be used as evidence of non-compliance with the Product itself.
- h) Once it is verified that the product reported as defective falls within the warranty condition, Malaguti srl may decide how to intervene, ensuring the problem is resolved as quickly as possible.
- i) All products and/or spare parts, even in replacement, or sent before the warranty is verified, will be shipped with a sales Delivery Note and billed to the Buyer. After appropriate checks, in the case of replacement falling within the warranty condition, the Seller will issue a credit note.
- l) This warranty condition does not cover any damages to the Customer or third parties, direct or indirect damages, loss of profits, accidental damages, commercial damages, production delays, damage to reputation, and any other costs incurred by the Buyer and internal management expenses. The warranty also does not cover travel expenses for the shipment of products and/or spare parts.
- m) The Seller reserves the right to send the Buyer a replacement product and/or spare part for the period necessary for any checks and repairs.



#### **LIMITATION OF LIABILITY**

Except in cases of justified dispute, the Buyer is not entitled to any further rights or remedies. In particular, the Seller is not liable for any compensation claimed for breach or non-performance of the contract, for any direct damage, or loss of profit suffered by the Buyer as a result of the use, non-use, or installation of the Products in other products, except in cases covered by warranty as indicated in the previous paragraph or in cases of willful misconduct or gross negligence by the Seller. The Seller will make every effort to deliver the Products within the agreed-upon timeframe, but in no case shall the Seller be held responsible for damages directly or indirectly caused by delayed contract execution or delayed product delivery. The catalog, price list, or other promotional materials of the Seller only serve as an indication of the type of Products and prices, and the indications therein are not binding on the Seller. The Seller assumes no responsibility for errors or omissions in its own price list or promotional materials.

#### **INTELLECTUAL PROPERTY OF MALAGUTI S.R.L.**

The Customer expressly acknowledges that the trademarks, trade names, or other distinctive signs affixed to the goods are the exclusive property of Malaguti s.r.l. and may not be altered, modified, removed, or deleted in any way. The Customer has the limited right to use the trademark, trade names, or other distinctive signs, as well as any other industrial property or production and commercial know-how incorporated in the goods, for the sole and limited purpose of reselling the goods to the public. Any different use of Malaguti s.r.l.'s intellectual property by the Customer, unless expressly granted by Malaguti s.r.l. in writing, shall be deemed a violation by the Customer of the aforementioned exclusive rights of Malaguti s.r.l., also from a contractual liability perspective, and will be properly pursued. Documents, drawings, data, and information (whether in paper form or electronically) that are delivered to the Customer remain the exclusive property of Malaguti s.r.l. and serve as support for a better representation of the Product and are indicative of the Product's performance. The Customer agrees not to reproduce them, disclose them to third parties, and also to take appropriate precautions with respect to its personnel to ensure their protection.

#### **PERSONAL DATA PROCESSING**

- a) The personal data of the Buyer will be processed in accordance with Italian law on personal data processing, including GDPR and Legislative Decree 101/2018 and subsequent amendments. The Seller informs the Buyer that the Seller is the data controller, and the personal data of the Buyer are collected and processed exclusively for the execution of this agreement.
- b) Data and information processed based on these general sales conditions may not in any way be disclosed to third parties, unless expressly authorized in writing by the Seller, except for legal obligations related to providing documents containing personal data to public authorities.
- c) Each Party undertakes to promptly report to the other any violation of trademark rights of which it becomes aware, as well as any other acts of unfair competition committed by third parties, in order to allow the injured Party to take the necessary or appropriate defensive actions in the common interest.

#### **APPLICABLE LAW**

- a) If the Buyer is a legal entity under Italian law, these General Sales Conditions and all contracts entered into by the Buyer with the Seller shall be governed by Italian law.
- b) If, on the other hand, the Buyer is a national of a country other than Italy, these General Sales Conditions and all contracts entered into by the Buyer with the Seller shall be governed by the 1980 United Nations Convention on Contracts for the International Sale of Goods (CISG).

#### **JURISDICTION**

- a) All disputes arising from this contract shall be exclusively submitted to the jurisdiction of the Forlì Court.
- It is understood between the Parties that only the Seller, at its discretion, shall have the right to waive the jurisdiction of the exclusive court as indicated in the preceding paragraph a) to take legal action against the Buyer at its domicile or at the competent court.

#### **GENERAL PROVISIONS**


- a) The invalidity in whole or in part of individual provisions of these General Sales Conditions shall not affect the validity of the remaining provisions.
- b) Any modification or addition to this contract must be made in writing and duly signed by the parties.
- c) These General Sales Conditions are drafted in both Italian and English. In case of interpretative doubts, the Italian version shall prevail.

# MALAGUTI

EARTHMOVING EQUIPMENT

 **Officine Malaguti SRL**  
Sant'Agata Bolognese (BO)  
Italy

**Ufficio Commerciale**  
 +39 0547 1932186  
 [commerciale@malagutisrl.com](mailto:commerciale@malagutisrl.com)

 Piazza Plauto, 40  
47027 Sarsina (FC)  
Italy

 [www.malagutisrl.com](http://www.malagutisrl.com)

