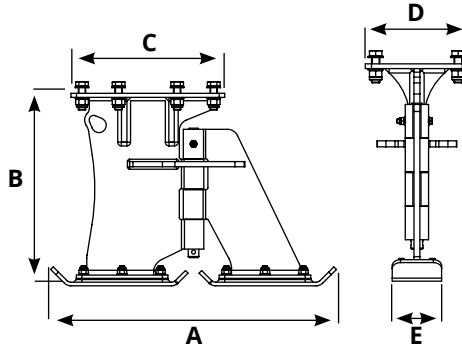


TWIN PLATE

NARROW PLATE - DOUBLE SLED

- > Ideal for compaction works on narrow and curved trenches
- > It allows the plate to reach deep
- > Particularly suitable for fibre grounding and underground services



| Model | A mm | B mm | C mm | D mm | E mm | Kg. | Model. PLURY |
|--------------------------|------|------|------|------|------|-----|--|
| TWIN PLATE 100 1/4.5 ton | 600 | 480 | 260 | 180 | 100 | 27 | W1 9.0 W1 15.0 |
| TWIN PLATE 150 1/4.5 ton | 600 | 480 | 260 | 180 | 150 | 35 | W1 9.0 W1 15.0 |
| TWIN PLATE 120 4/12 ton | 780 | 520 | 420 | 250 | 120 | 56 | W1 27.0 W1 40.0 |
| TWIN PLATE 150 4/12 ton | 780 | 520 | 420 | 250 | 150 | 64 | W1 27.0 W1 40.0 |
| TWIN PLATE 200 4/12 ton | 780 | 520 | 420 | 250 | 200 | 70 | W1 27.0 W1 40.0 |
| TWIN PLATE 135 8/40 ton | 1100 | 600 | 540 | 360 | 135 | 120 | W1 65.0 W1 95.0 W2 60.0 W2 80.0 W2 100.0 W2 120.0 W2 150.0 W2 180.0 |
| TWIN PLATE 200 8/40 ton | 1100 | 600 | 540 | 360 | 200 | 140 | W1 65.0 W1 95.0 W2 60.0 W2 80.0 W2 100.0 W2 120.0 W2 150.0 W2 180.0 |

