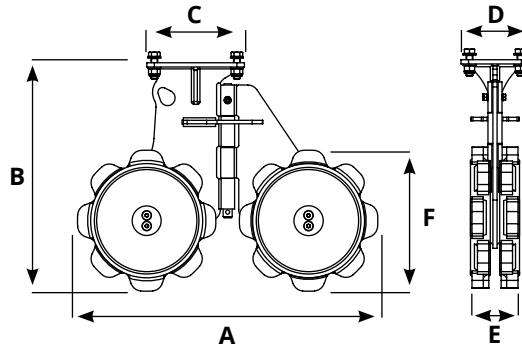


# TWIN WHEEL

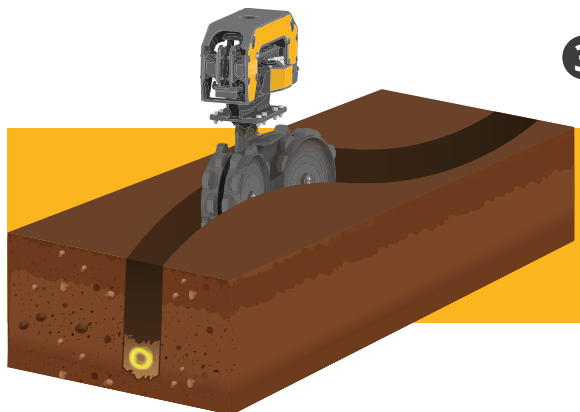
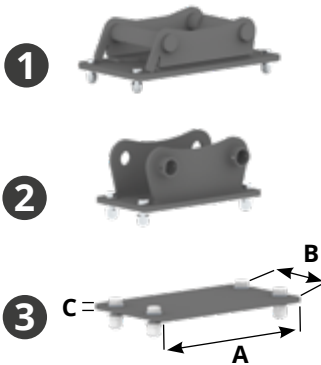
## DOPPIA RUOTA

- › Ideale per lavori di compattazione su scavi stretti e curvi
- › Permette alla ruota di arrivare in profondità
- › Particolarmente indicata per la messa a terra della fibra e sottoservizi



Model	A mm	B mm	C mm	D mm	E mm	F mm	Kg.	Model. PLURY
TWIN WHEEL 130 1/4.5 ton	805	596	260	370	130	370	86	<b>W1 9.0   W1 15.0</b>
TWIN WHEEL 200 1/4.5 ton	805	596	260	370	200	370	115	<b>W1 9.0   W1 15.0</b>
TWIN WHEEL 200 4/12 ton	1065	715	420	250	200	480	185	<b>W1 27.0   W1 40.0</b>
TWIN WHEEL 300 4/12 ton	1065	715	420	250	300	480	230	<b>W1 27.0   W1 40.0</b>
TWIN WHEEL 270 8/40 ton	1540	890	540	360	270	710	408	<b>W1 65.0   W1 95.0   W2 60.0 W2 80.0   W2 100.0   W2 120.0 W2 150.0   W2 180.0</b>
TWIN WHEEL 350 8/40 ton	1540	890	540	360	350	710	442	<b>W1 65.0   W1 95.0   W2 60.0 W2 80.0   W2 100.0   W2 120.0 W2 150.0   W2 180.0</b>

- › Tramite gli ATTACCHI MACCHINA la ruota può essere montata direttamente sulla macchina da lavoro senza propulsore



Model	A mm	B mm	C mm	Kg.
ADAPTER FOR QUICK COUPLING 1/4.5 ton	/	/	/	/
ADAPTER FOR QUICK COUPLING 4/12 ton	/	/	/	/
ADAPTER FOR QUICK COUPLING 8/14 ton	/	/	/	/
ADAPTER FOR QUICK COUPLING 12/25 ton	/	/	/	/
ADAPTER FOR QUICK COUPLING 18/40 ton	/	/	/	/
FIXED COUPLING MACHINE 1/4.5 ton	/	/	/	/
FIXED COUPLING MACHINE 4/12 ton	/	/	/	/
FIXED COUPLING MACHINE 8/14 ton	/	/	/	/
FIXED COUPLING MACHINE 12/25 ton	/	/	/	/
FIXED COUPLING MACHINE 18/40 ton	/	/	/	/
BOLTED PLATE MACHINE COUPLING 1/2 ton	390	195	10	7
BOLTED PLATE MACHINE COUPLING 1/4.5 ton	410	235	10	8.5
BOLTED PLATE MACHINE COUPLING 4/12 ton	470	280	15	16.5
BOLTED PLATE MACHINE COUPLING 8/14 ton	640	340	15	29
BOLTED PLATE MACHINE COUPLING 12/25 ton	710	400	20	48
BOLTED PLATE MACHINE COUPLING 18/40 ton	920	450	20	70