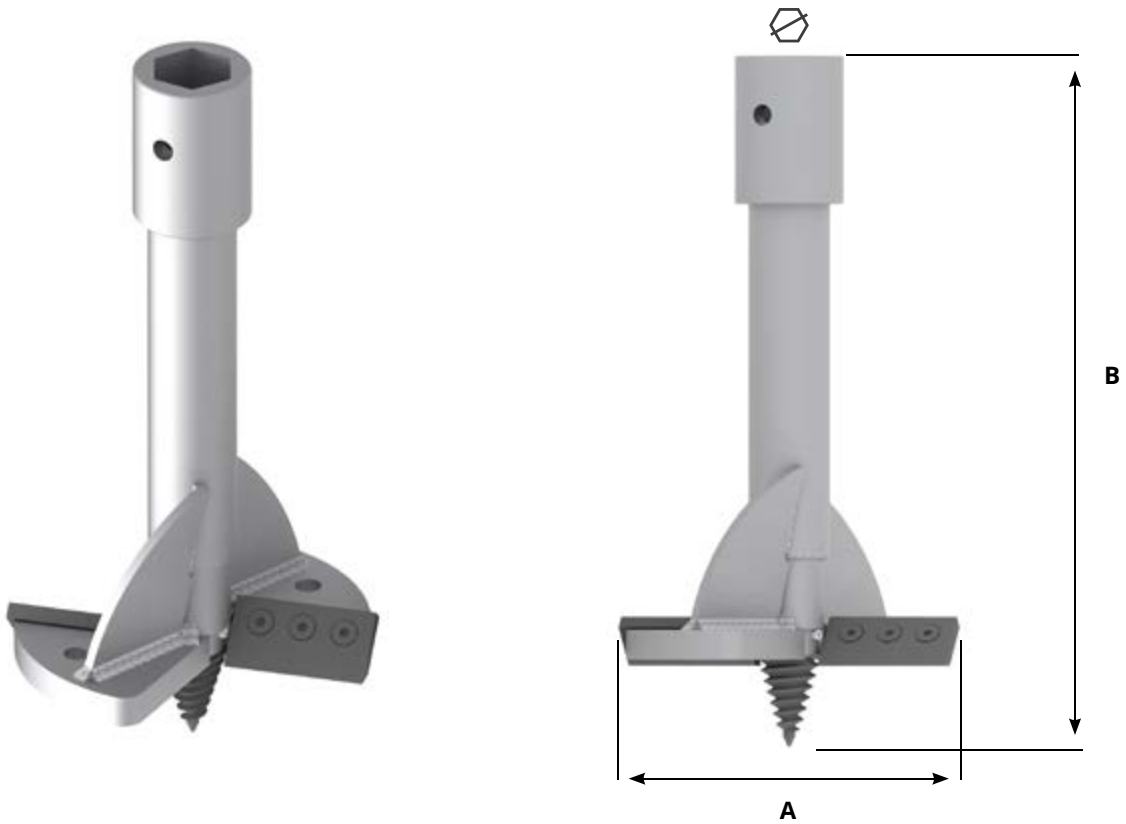


STUMP GRINDER BIT



STUMP GRINDER BIT

- › Ideal for milling and grinding tree stumps and roots



WRENCH	50	50	50	70	70	70
MODEL	M1	M2	M3	M4	M5	M6
A (mm)	330	330	330	330	330	330
B (mm)	670	670	670	700	700	700
C (mm)	20	20	20	23	23	23
Weight Kg	29	29	29	33	33	33

