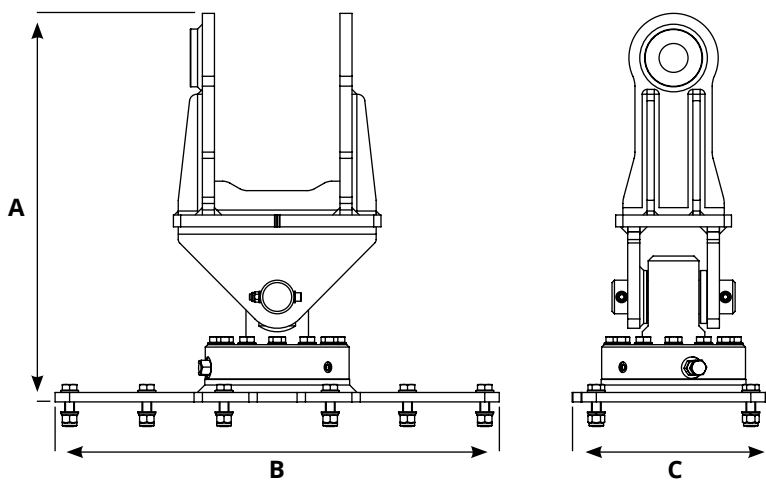


MECHANICAL SLEWING

MECHANICAL RAKE

- › The mechanical rake can be mounted on the excavator arm in a swiveling manner
- › The mechanical rotation allows the equipment to rotate on itself by 120° in partial rotation



Model	A mm	B mm	C mm	Max Rotation	Kg.	Model. PLURY
MECHANICAL SLEWING 18/40 ton	920	805	420	120°	210	W2 150.0 W2 180.0

