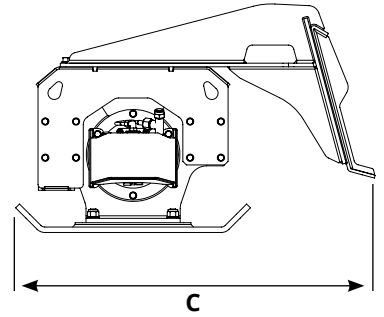
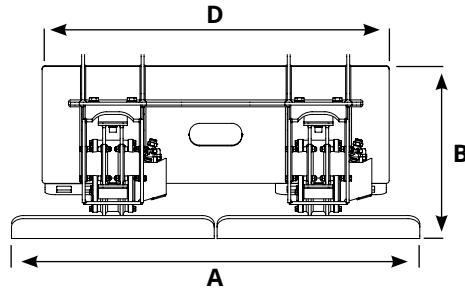


PLURY KN

FRONT-MOUNTED DOUBLE COMPACTION PLATE

- > The front mounted compaction plate allows you to compact a large area faster
- > Suitable for compacting yards, cycle paths, etc.



Model	A mm	B mm	C mm	D mm	Kg.	Model. PLURY
PLURY KN 9+9 120	1200	525	990	1190	400	W1 9.0
PLURY KN 9+9 140	1400	525	990	1190	420	W1 9.0
PLURY KN 15+15 140	1400	630	1000	1190	485	W1 15.0
PLURY KN 15+15 160	1600	630	1000	1190	505	W1 15.0
PLURY KN 27+27 160	1600	730	1150	1190	790	W1 27.0
PLURY KN 27+27 180	1800	730	1150	1190	820	W1 27.0
PLURY KN 40+40 180	1800	730	1150	1190	825	W1 40.0
PLURY KN 40+40 200	2000	730	1150	1190	885	W1 40.0
PLURY KN 65+65 200	2000	840	1250	1190	1290	W1 65.0
PLURY KN 65+65 220	2200	840	1250	1190	1330	W1 65.0

Model	A mm	B mm	C mm	D mm	Kg.
COUPLING TO LOADER	/	/	/	/	/

