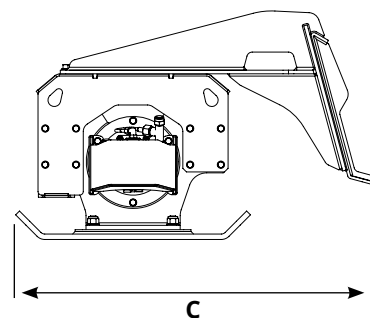
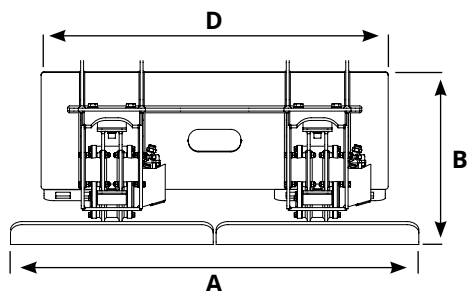


PLURY KN

DOPPIA PIASTRA COMPATTATRICE FRONTALE

- › La piastra compattatrice frontale permette di compattare un'area ampia più velocemente
- › Indicata per compattare piazzali, piste ciclabili ecc.



| Model | A mm | B mm | C mm | D mm | Kg. | Model. PLURY |
|--------------------|------|------|------|------|------|--------------|
| PLURY KN 9+9 120 | 1200 | 525 | 990 | 1190 | 400 | W1 9.0 |
| PLURY KN 9+9 140 | 1400 | 525 | 990 | 1190 | 420 | W1 9.0 |
| PLURY KN 15+15 140 | 1400 | 630 | 1000 | 1190 | 485 | W1 15.0 |
| PLURY KN 15+15 160 | 1600 | 630 | 1000 | 1190 | 505 | W1 15.0 |
| PLURY KN 27+27 160 | 1600 | 730 | 1150 | 1190 | 790 | W1 27.0 |
| PLURY KN 27+27 180 | 1800 | 730 | 1150 | 1190 | 820 | W1 27.0 |
| PLURY KN 40+40 180 | 1800 | 730 | 1150 | 1190 | 825 | W1 40.0 |
| PLURY KN 40+40 200 | 2000 | 730 | 1150 | 1190 | 885 | W1 40.0 |
| PLURY KN 65+65 200 | 2000 | 840 | 1250 | 1190 | 1290 | W1 65.0 |
| PLURY KN 65+65 220 | 2200 | 840 | 1250 | 1190 | 1330 | W1 65.0 |

| Model | A mm | B mm | C mm | D mm | Kg. |
|--------------------|------|------|------|------|-----|
| COUPLING TO LOADER | / | / | / | / | / |

