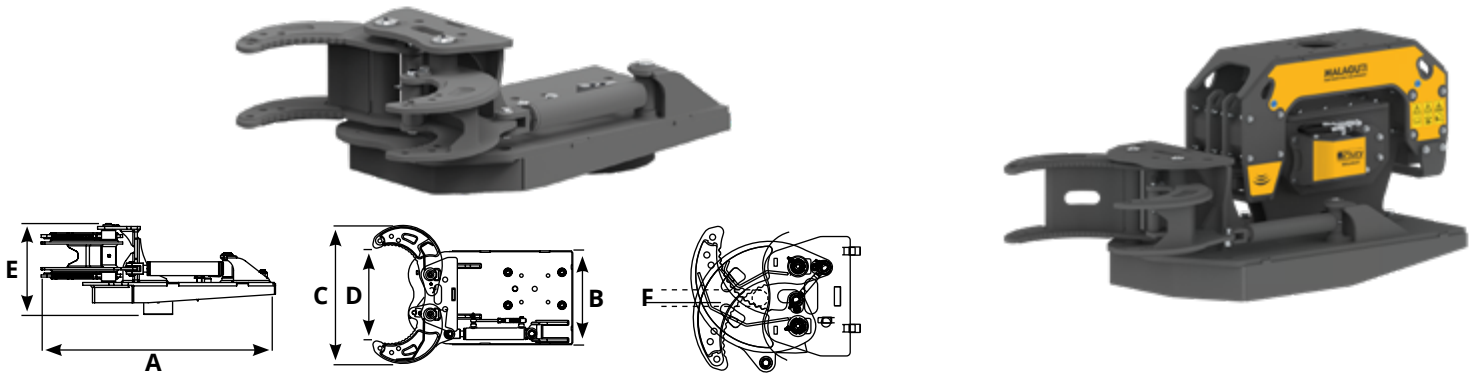


# GRAPPLE

## WOOD GRAPPLE WITH BELL

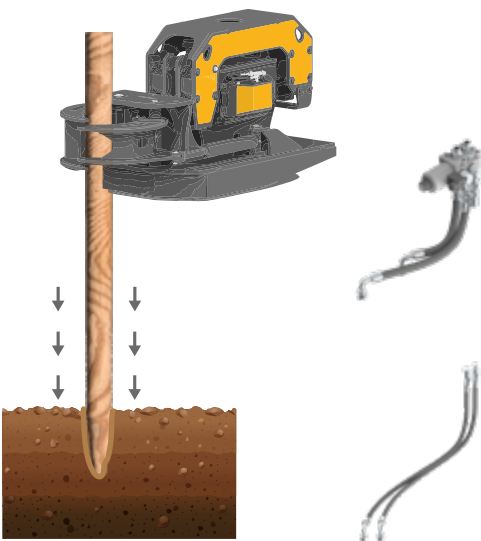
- › Designed for vibro-driving and extraction of wooden, concrete and steel poles
- › Suitable for the containment of landslides, docks, and embankments
- › Construction of vineyards, orchards and fences
- › A fundamental combination that is used in land maintenance and agriculture



| Model             | A mm | B mm | C mm | D mm | E mm | F Ø mm  | Kg. | Model. PLURY                           |
|-------------------|------|------|------|------|------|---------|-----|--|
| GRAPPLE 1/4.5 ton | 810  | 380  | 560  | 375  | 310  | 32/35   | 75  | <b>W1 9.0   W1 15.0</b>                |
| GRAPPLE 4/12 ton  | 1090 | 460  | 665  | 425  | 420  | 50/55   | 159 | <b>W1 27.0   W1 40.0</b>               |
| GRAPPLE 7/16 ton  | 1575 | 705  | 870  | 560  | 520  | 135/140 | 365 | <b>W1 65.0   W2 60.0<br/>W2 80.0</b>   |
| GRAPPLE 10/25 ton | 1590 | 705  | 870  | 570  | 520  | 135/140 | 375 | <b>W1 95.0   W2 100.0<br/>W2 120.0</b> |
| GRAPPLE 18/40 ton | 1730 | 705  | 870  | 560  | 530  | 140/150 | 380 | <b>W2 150.0   W2 180.0</b>             |



- › Grapple has the possibility of mounting the customized bell, available in various diameters according to one's needs. The bell is included in the price of the Grapple.



| Model                | A mm | B mm | C mm | Kg. | Model. PLURY   |
|----------------------|------|------|------|-----|--|
| BELL 150 - 1/4.5 ton | 150  | 200  | 125  | 15  | <b>W1 9.0   W1 15.0</b>  |
| BELL 200 - 1/4.5 ton | 200  | 250  | 125  | 20  | <b>W1 9.0   W1 15.0</b>  |
| BELL 150 - 4/12 ton  | 150  | 200  | 105  | 11  | <b>W1 27.0   W1 40.0</b>   |
| BELL 200 - 4/12 ton  | 200  | 250  | 125  | 22  | <b>W1 27.0   W1 40.0</b>   |
| BELL 250 - 4/12 ton  | 250  | 300  | 145  | 28  | <b>W1 27.0   W1 40.0</b>   |
| BELL 150 - 8/40 ton  | 150  | 200  | 105  | 17  | <b>W1 65.0   W1 95.0   W2 60.0   W2 80.0<br/>W2 100.0   W2 120.0   W2 150.0   W2 180.0</b> |
| BELL 200 - 8/40 ton  | 200  | 250  | 105  | 20  | <b>W1 65.0   W1 95.0   W2 60.0   W2 80.0<br/>W2 100.0   W2 120.0   W2 150.0   W2 180.0</b> |
| BELL 250 - 8/40 ton  | 250  | 300  | 125  | 22  | <b>W1 65.0   W1 95.0   W2 60.0   W2 80.0<br/>W2 100.0   W2 120.0   W2 150.0   W2 180.0</b> |
| BELL 300 - 8/40 ton  | 300  | 350  | 180  | 43  | <b>W1 65.0   W1 95.0   W2 60.0   W2 80.0<br/>W2 100.0   W2 120.0   W2 150.0   W2 180.0</b> |
| BELL 350 - 8/40 ton  | 350  | 400  | 180  | 50  | <b>W1 65.0   W1 95.0   W2 60.0   W2 80.0<br/>W2 100.0   W2 120.0   W2 150.0   W2 180.0</b> |

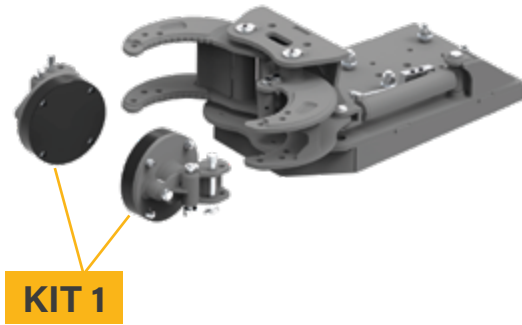
| Model                  | Model. PLURY   |
|------------------------|--|
| KIT VALVOLA 2 TUBI - 1 | <b>W1 9.0   W1 15.0</b>  |
| KIT VALVOLA 2 TUBI - 2 | <b>W1 27.0   W1 40.0</b>   |
| KIT VALVOLA 2 TUBI - 3 | <b>W1 65.0   W1 95.0   W2 60.0   W2 80.0<br/>W2 100.0   W2 120.0   W2 150.0   W2 180.0</b> |

| Model              | Model. PLURY   |
|--------------------|--|
| 2 TUBI GRAPPLE - 1 | <b>W1 9.0   W1 15.0</b>  |
| 2 TUBI GRAPPLE - 2 | <b>W1 27.0   W1 40.0</b>   |
| 2 TUBI GRAPPLE - 3 | <b>W1 65.0   W1 95.0   W2 60.0   W2 80.0<br/>W2 100.0   W2 120.0   W2 150.0   W2 180.0</b> |

| Model        | Model. PLURY |
|--------------|--------------|
| KIT ELECTRIC | /            |

# OPTIONAL GRAPPLE KIT

## OPTIONAL CONCRETE-STEEL

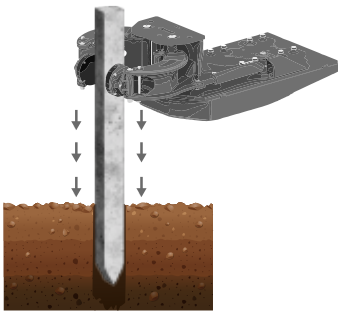


**KIT 1**



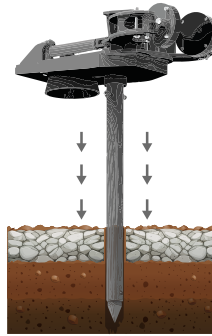
**KIT 2**

**KIT 3**



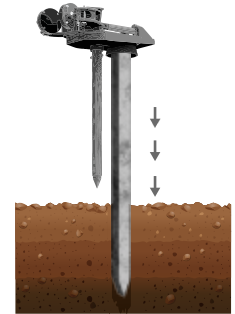
**KIT 1**

- › Grapple accessory suitable for vibro-driving and extraction of concrete and steel poles



**KIT 2**

- › Pre-hole drill suitable for making a pre-hole in hard ground
- › Suitable for vibro-driving concrete poles



**KIT 3**

- › Shock-absorbing rubber accessory suitable for vibrating concrete poles, avoiding damage to the pole itself

| Model           | A mm                          | B mm | C mm | Kg. | Model. PLURY            |
|-----------------|-------------------------------|------|------|-----|-------------------------|
| KIT 1 1/4.5 ton | /                             | /    | /    | 16  | <b>W1 9.0   W1 15.0</b> |
| KIT 2 1/4.5 ton | /                             | /    | /    | 22  |                         |
| KIT 3           | depending on the type of bell |      |      |     |                         |

| Model          | A mm                          | B mm | C mm | Kg. | Model. PLURY             |
|----------------|-------------------------------|------|------|-----|--------------------------|
| KIT 1 4/12 ton | /                             | /    | /    | 20  | <b>W1 27.0   W1 40.0</b> |
| KIT 2 4/12 ton | /                             | /    | /    | 22  |                          |
| KIT 3          | depending on the type of bell |      |      |     |                          |

| Model          | A mm                          | B mm | C mm | Kg. | Model. PLURY                         |
|----------------|-------------------------------|------|------|-----|--------------------------------------|
| KIT 1 8/16 ton | /                             | /    | /    | 24  | <b>W1 65.0   W2 60.0<br/>W2 80.0</b> |
| KIT 2 8/16 ton | /                             | /    | /    | 27  |                                      |
| KIT 3          | depending on the type of bell |      |      |     |                                      |

| Model           | A mm                          | B mm | C mm | Kg. | Model. PLURY                           |
|-----------------|-------------------------------|------|------|-----|--|
| KIT 1 10/25 ton | /                             | /    | /    | 24  | <b>W1 95.0   W2 100.0<br/>W2 120.0</b> |
| KIT 2 10/25 ton | /                             | /    | /    | 27  |  |
| KIT 3           | depending on the type of bell |      |      |     |  |

| Model           | A mm                          | B mm | C mm | Kg. | Model. PLURY               |
|-----------------|-------------------------------|------|------|-----|----------------------------|
| KIT 1 18/40 ton | /                             | /    | /    | 24  | <b>W2 150.0   W2 180.0</b> |
| KIT 2 18/40 ton | /                             | /    | /    | 43  |                            |
| KIT 3           | depending on the type of bell |      |      |     |                            |