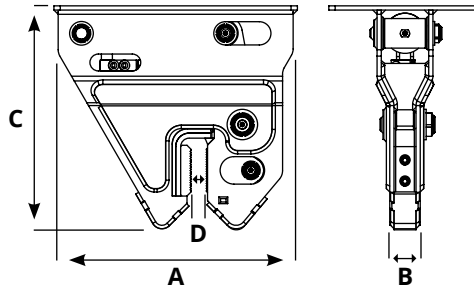


H-BEAM CLAMP

H-BEAM CLAMP

› Clamp suitable for vibratory driving and extraction of H-beams in various types of soil



Model	A mm	B mm	C mm	D mm	Press. Bar	Force max press	Kg.	Model. PLURY
H-BEAM CLAMP 20 GRIP	580	72	430	35	200 ----- 250	20 Ton ----- 23 Ton	95	W2 60.0 W2 80.0 W2 100.0 W2 120.0 W2 150.0 W2 180.0



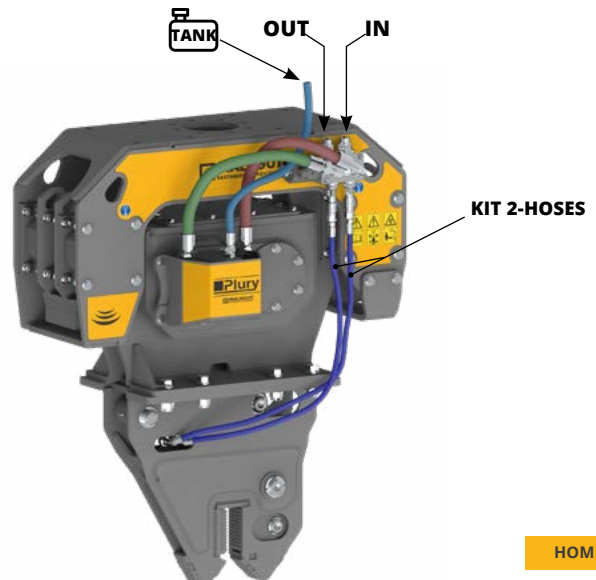
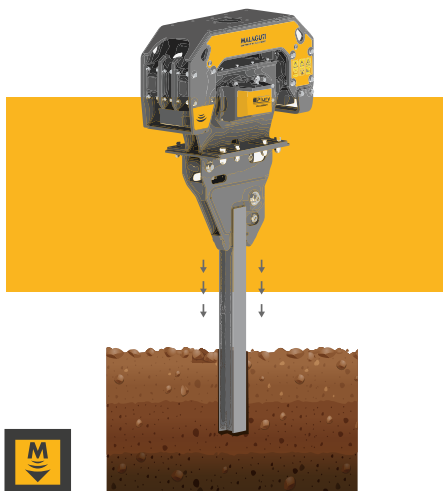
Model KIT	KIT IDRAULICI	Model. PLURY	Motore (cc)	Cod.
KIT E - PLURY	2-HOSES VALVE KIT 12Volt	W2 60.0 W2 80.0 W2 100.0 W2 120.0	32 43 47 51	HII0201010
KIT F - PLURY	2-HOSES VALVE KIT 24Volt	W2 60.0 W2 80.0 W2 100.0 W2 120.0	32 43 47 51	HII0201037
KIT G - PLURY	2-HOSES VALVE KIT 12Volt	W2 150.0 W2 180.0	63	HII0201012
KIT H - PLURY	2-HOSES VALVE KIT 24Volt	W2 150.0 W2 180.0	63	HII0201038



Model	Model. PLURY	Cod.
A - 2 HOSES SHEET H-BEAM CLAMP	W2 60.0 W2 80.0 W2 100.0 W2 120.0 W2 150.0 W2 180.0	HII0201028



Model	Cod.
ELECTRICAL KIT	C030201020



The data provided should be considered indicative and should be compared with the capacity of the operating machine on which the equipment is used